



## Newsletter: Fracture strength of thin wafers and die

31 March 2017

There are many types of wafer and die and many different reasons to test them. Your concerns might be stress crack propagation, delamination or the effects of the crystalline structure on strength. This article elaborates on the subtle differences between several types of **bend tests**. To investigate these and many others the following standard tests can be helpful.

- **Three point bend test**
- **Four point bend test**
- **Ball and ring bend test**
- **Ring and ring bend test**

A common purpose of a materials strength test is to predict failure. To achieve this an understanding of the true load conditions and real failure modes is essential (True and Real, referring to what the product experiences in end use). As explained in our **Science of Bond Testing**, it is often not so simple. Whilst the failure mode is usually known or at least predicted, the true load condition may be partially or not at all understood.

When the true load condition is not known or in doubt, a prime objective of a test is to reproduce the "Failure Mode of Interest". No matter how close we believe we are to the true load condition, if the test does not produce the failure mode we are interested in, what value does it have? On the other hand, any test that does produce the failure mode of interest is likely to be helpful.

When the true load is known it should be tried and will then produce the true failure mode. If this is not the failure mode expected either your expectation of the true load, failure mode or both is incorrect.

### Three point bend test

© 1999-2019 XYZTEC BV

#### **XYZTEC Netherlands**

J.F. Kennedylaan 14-B  
5981 XC Panningen  
Netherlands ([map / route](#))  
Tel: +31-77-3060920  
Fax: +31-77-3060919  
[sales@xyztec.com](mailto:sales@xyztec.com)  
[support@xyztec.com](mailto:support@xyztec.com)

#### **Other offices**

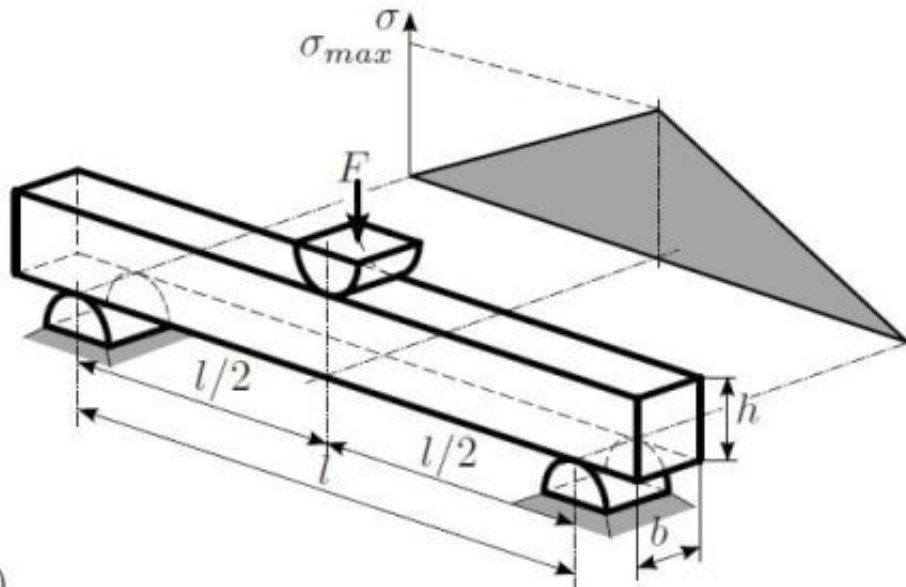
- Germany  
- Taiwan  
- Thailand  
- United Kingdom  
- USA: California  
- USA: Massachusetts  
- **Distributors**

#### **Bond testers**

- Condor *Sigma*  
- Condor *Sigma Lite*  
- Condor *Sigma W12*  
- Condor *150HF*

This is page 1/10  
Click [here](#) for the **web version**.

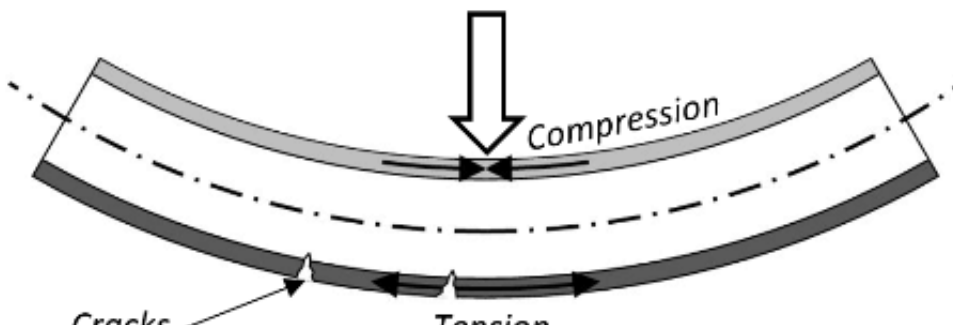
**Technology leader in bond testing worldwide**



(a) Schematic overview of 3 point bend test. Picture courtesy of Fraunhofer institute

In this test the sample is subjected to the bending moment shown in the graph. It rises at a constant rate from zero at the two support points to a maximum where the load F is applied. It should be noted that the illustration is for a standard beam but the same applies when dimension b is much greater than dimension h, as is the case with a die or wafer.

As seen in the illustrations, the bending moment produces tensile stress on the bottom and compressive stress on the top of the test piece. In the case of brittle materials and where crack propagation is a concern, failure is most likely to occur where tensile stress is applied. If one side of your samples is more likely to fail in tension it makes sense to test with this face on the opposite side to the load application F.



Compression and tension during 3 point bend testing. Picture courtesy of Fraunhofer institute

Due to Poisson's ratio stress normal to the bending stresses and parallel to the axis of dimension b exists. They are about 30% (depending on the material) and the opposite of the bending stresses. At the ends of the test piece the bending moment and therefore all stress are zero. It will be seen that this is not the case in a ring test.

### XYZTEC Netherlands

J.F. Kennedylaan 14-B  
5981 XC Panningen  
Netherlands ([map / route](#))  
Tel: +31-77-3060920  
Fax: +31-77-3060919  
[sales@xyztec.com](mailto:sales@xyztec.com)  
[support@xyztec.com](mailto:support@xyztec.com)

### Other offices

- Germany
- Taiwan
- Thailand
- United Kingdom
- USA: California
- USA: Massachusetts
- Distributors

### Bond testers

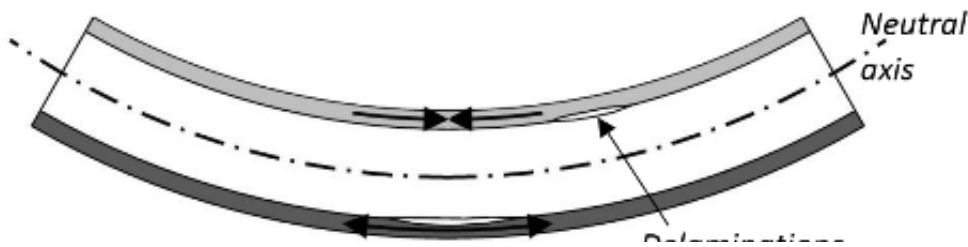
- Condor *Sigma*
- Condor *Sigma Lite*
- Condor *Sigma W12*
- Condor *150HF*

This is page 2/10  
Click [here](#) for the [web version](#).



## Bending moment and bending stress

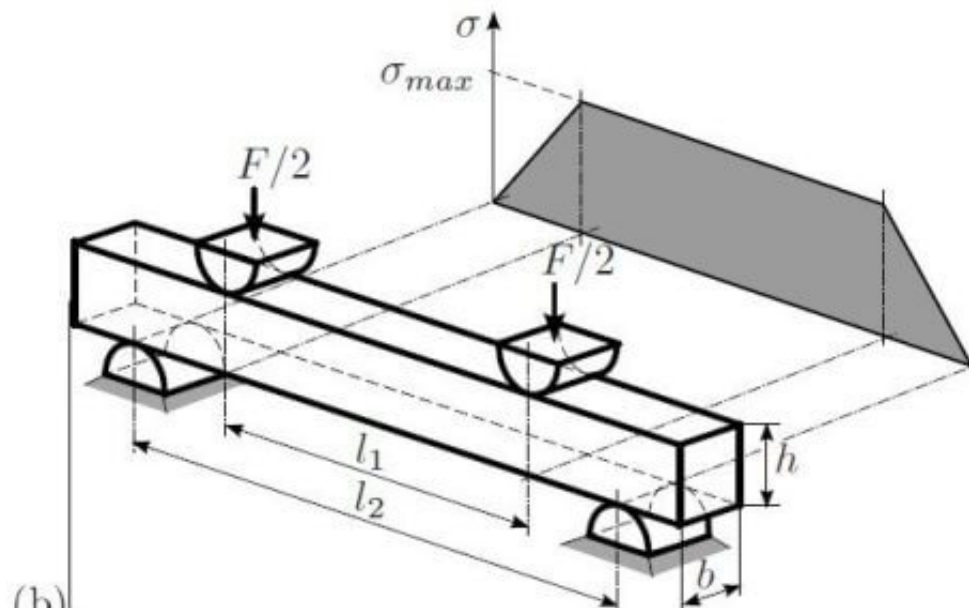
The transition from compression to tension passing through thickness  $h$  results in shear stress also through the sample thickness. Where delamination is a concern this shear loads and thereby tests the strength of laminar layers and bonds. Where the layers of interest are close to the surface the relative expansion and contraction between the layers can be reversed by testing the sample face down or face up. The shear stress will be the same, only the relative expansion versus contraction seen by the layers is reversed. If the layer is in the middle of the thickness at  $h/2$ , the neutral axis, all stress is zero. This makes failure less likely but due to differences between the theoretical model and real world, for example non-symmetry, a bend test can still be useful.



Delamination can occur when bend testing. Picture courtesy of Fraunhofer institute

The 3 point bend can be a single load application but the load can also be applied many times to test for fatigue and crack propagation.

## Four point bend test



The graph shows a section of pure bending clear of local stresses at load and support points. Picture courtesy of Fraunhofer institute

The 4 point bend test has many similarity similarities to the 3 point bend test but it can be seen © 1999-2019 XYZTEC BV

### XYZTEC Netherlands

J.F. Kennedylaan 14-B  
5981 XC Panningen  
Netherlands ([map / route](#))  
Tel: +31-77-3060920  
Fax: +31-77-3060919  
sales@xyztec.com  
support@xyztec.com

### Other offices

- Germany
- Taiwan
- Thailand
- United Kingdom
- USA: California
- USA: Massachusetts
- Distributors

### Bond testers

- Condor *Sigma*
- Condor *Sigma Lite*
- Condor *Sigma W12*
- Condor *150HF*

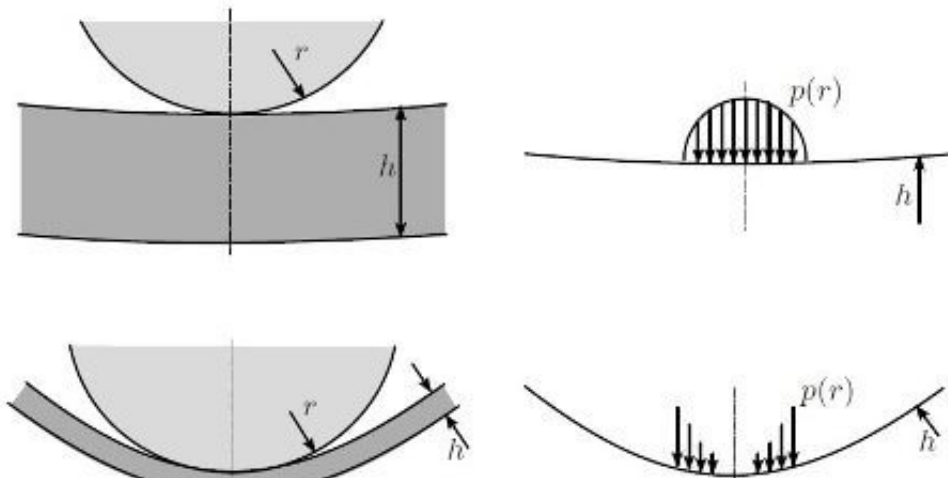
This is page 3/10  
Click [here](#) for the [web version](#).



that the bending moment in the graph is quite different. Again the bending moment rises at a constant rate to the point of load application, in this case two points, but between them the bending moment is constant. This is a very important and useful difference and in many cases a closer approximation to the true load condition. For example, if a complete solar panel is bent the individual wafers may only see a constant bend. The 4 point bend test gives you the ability to test a section of the sample to constant and maximum bending. In the case of the 3 point test the maximum bending applies at just one point and, as we will see, has other complications.

Again the tensile stress is on the underside, there is shear within the thickness, there is no stress at the ends and the test can be done with one or multiple load applications.

## Point of load application



Point loading bend test. Picture courtesy of Fraunhofer institute

If we consider where the test piece is supported and load applied, localized stress occurs. Whilst an analysis of the previously mentioned bending moments is relatively simple, these stresses are complex. They might though not be significant if the test provides the bending load condition and or failure modes you are interested in. But it clearly shows an advantage of the 4 point test where a portion of the test piece is subjected to the maximum bending force outside of these localized stresses, as opposed to the 3 point test where this localized stress occurs exactly at the single point of maximum bending moment.

Alternatively, such points of local stress may be close to the true load or provide the failure mode of interest. In this case it is the point loading that can be achieved in a bend test that you are interested in and then a 3 point bend might be ideal. It does though still have the combination of the local stress and bending stress. If you are only interested in the local “crushing” stresses at a point or area load application it may be better to full support the test piece on a rigid and flat surface; this no longer being a bend test.

The stresses of localized loading can be modeled using Finite Element Analysis (FEA).

### XYZTEC Netherlands

J.F. Kennedylaan 14-B  
5981 XC Panningen  
Netherlands ([map / route](#))  
Tel: +31-77-3060920  
Fax: +31-77-3060919  
sales@xyztec.com  
support@xyztec.com

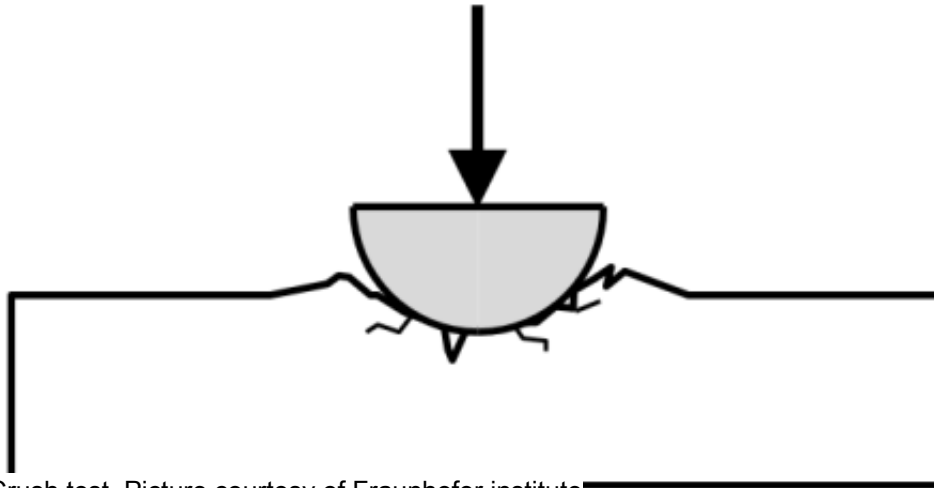
### Other offices

- Germany
- Taiwan
- Thailand
- United Kingdom
- USA: California
- USA: Massachusetts
- Distributors

### Bond testers

- Condor *Sigma*
- Condor *Sigma Lite*
- Condor *Sigma W12*
- Condor *150HF*

This is page 4/10  
Click [here](#) for the [web version](#).



Crush test. Picture courtesy of Fraunhofer institute

## Ball and ring bend testing

### **XYZTEC Netherlands**

J.F. Kennedylaan 14-B  
5981 XC Panningen  
Netherlands ([map / route](#))  
Tel: +31-77-3060920  
Fax: +31-77-3060919  
[sales@xyztec.com](mailto:sales@xyztec.com)  
[support@xyztec.com](mailto:support@xyztec.com)

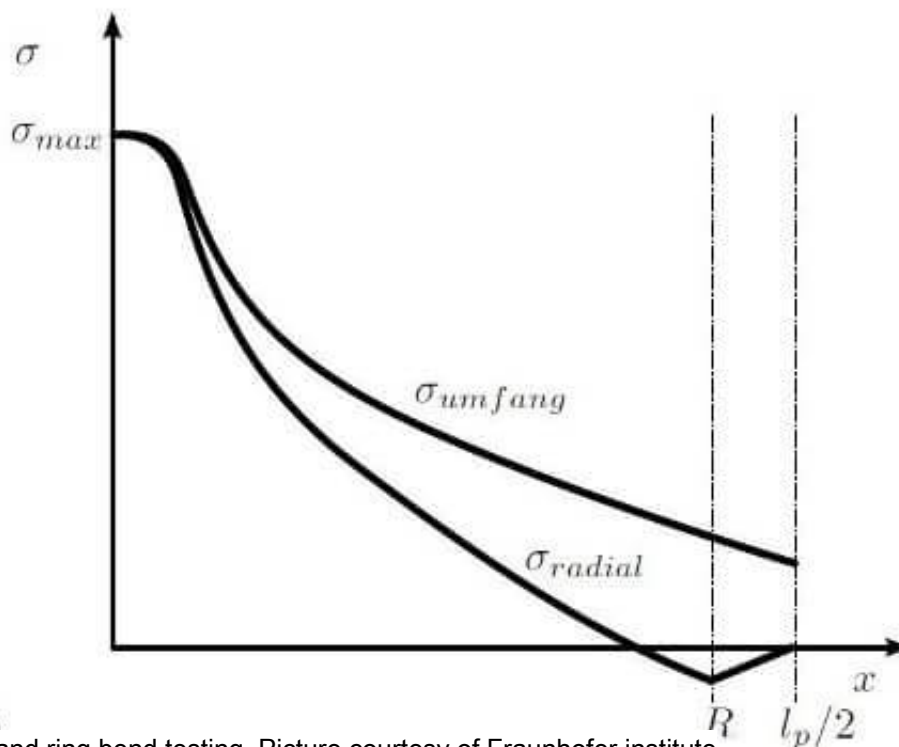
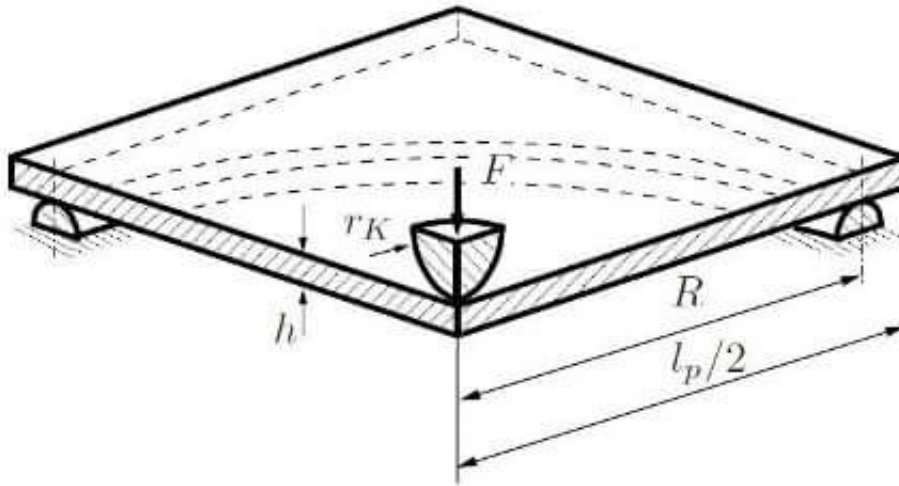
### **Other offices**

- Germany
- Taiwan
- Thailand
- United Kingdom
- USA: California
- USA: Massachusetts
- [Distributors](#)

### **Bond testers**

- Condor *Sigma*
- Condor *Sigma Lite*
- Condor *Sigma W12*
- Condor *150HF*

This is page 5/10  
Click [here](#) for the [web version](#).



(b) Ball and ring bend testing. Picture courtesy of Fraunhofer institute

In a section through a diameter (or radius), a ball and ring test may be considered similar to the 3 point bend test in that it has two support points and one load application point. But the 3 point bend test is two dimensional where the bend stress can be considered in a single plane such as that shown in the bending moment graphs of the 3 and 4 point bend illustrations. In the case of a ring test there are stresses both in the radial plane and normal to this. You might be able to visualize this as the test piece is bent along its lines of radius/diameter and stretched along circular lines centered about the load point. These are called the radial and circumferential stresses. The radial stresses are similar to the bending stresses in a 3 or 4 point bend test. The circumferential stresses are similar to those caused by Poisson's ratio but in this case they are

© 1999-2019 XYZTEC BV

### XYZTEC Netherlands

J.F. Kennedylaan 14-B  
5981 XC Panningen  
Netherlands ([map / route](#))  
Tel: +31-77-3060920  
Fax: +31-77-3060919  
[sales@xyztec.com](mailto:sales@xyztec.com)  
[support@xyztec.com](mailto:support@xyztec.com)

### Other offices

- Germany
- Taiwan
- Thailand
- United Kingdom
- USA: California
- USA: Massachusetts
- Distributors

### Bond testers

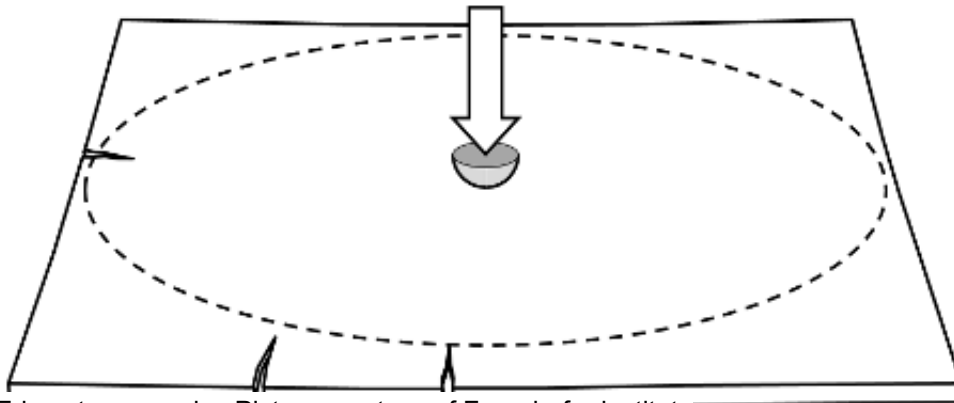
- Condor *Sigma*
- Condor *Sigma Lite*
- Condor *Sigma W12*
- Condor *150HF*

This is page 6/10  
Click [here](#) for the [web version](#).



not zero at the ends/edges of the test piece.

Similar to the 3 point bend test the maximum stress in a ball and ring test occurs where the load is applied. Again similar to the 3 point test the radial stresses are zero at the edges of the test piece but unlike the 3 point test there are the significant circumferential stresses at the edge. The presence of these stresses at the edge make it suitable to test things like the cracks, irregularities/stress raisers and residual manufacturing stresses that occur on the edges on the test piece. A typical example of such irregularities are the cracks caused during dicing.



Edge stress cracks. Picture courtesy of Fraunhofer institute

## Ring and ring bend testing

### XYZTEC Netherlands

J.F. Kennedylaan 14-B  
5981 XC Panningen  
Netherlands ([map / route](#))  
Tel: +31-77-3060920  
Fax: +31-77-3060919  
[sales@xyztec.com](mailto:sales@xyztec.com)  
[support@xyztec.com](mailto:support@xyztec.com)

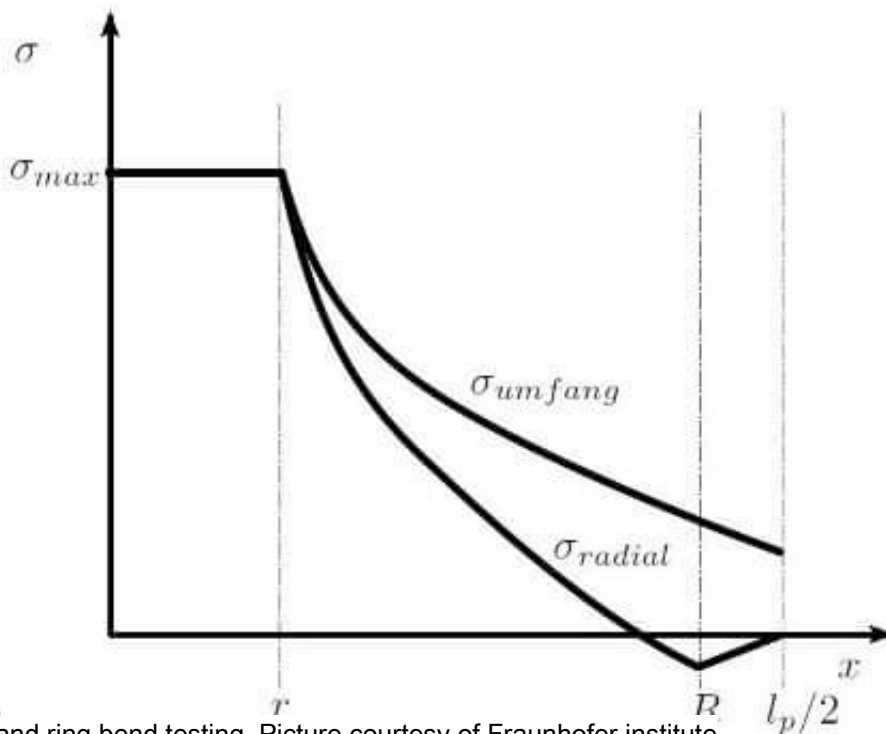
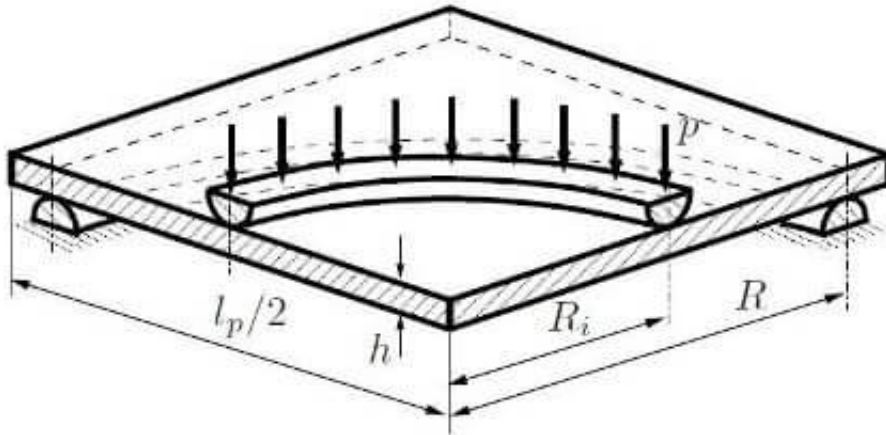
### Other offices

- Germany
- Taiwan
- Thailand
- United Kingdom
- USA: California
- USA: Massachusetts
- [Distributors](#)

### Bond testers

- Condor *Sigma*
- Condor *Sigma Lite*
- Condor *Sigma W12*
- Condor *150HF*

This is page 7/10  
Click [here](#) for the [web version](#).



Ring and ring bend testing. Picture courtesy of Fraunhofer institute

The similarities and differences between the ring and ball test compared to a 3 point bend test also occur between the ring and ring test and 4 point bend test. The ring and ring test produces circumferential tensile stress on the test piece edges and so can test edge effects in the same way. Similar to the 4 point bend test, within the smaller ring the bending moment stresses are constant but also include constant circumferential stress. As the ring and ring test better distributes the applied load, local stresses are reduced making it less likely to fail where the load is applied.

## Visualize deformations

Using the **Condor Sigma** you are capable of performing any type of **bend test** ([click to view](#))

© 1999-2019 XYZTEC BV

### XYZTEC Netherlands

J.F. Kennedylaan 14-B  
5981 XC Panningen  
Netherlands ([map / route](#))  
Tel: +31-77-3060920  
Fax: +31-77-3060919  
sales@xyztec.com  
support@xyztec.com

### Other offices

- Germany
- Taiwan
- Thailand
- United Kingdom
- USA: California
- USA: Massachusetts
- Distributors

### Bond testers

- Condor *Sigma*
- Condor *Sigma Lite*
- Condor *Sigma W12*
- Condor *150HF*

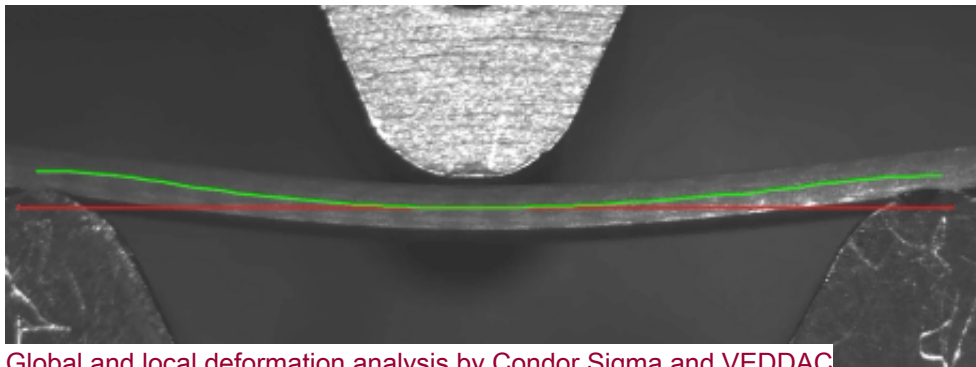
This is page 8/10  
Click [here](#) for the **web version**.

**Technology leader in bond testing worldwide**





videos) and do extensive analyses of the measurement results. With a special camera mounted on the bondtester, one can visualize deformations during bend tests. [Click here to read more about this functionality.](#)



Global and local deformation analysis by Condor Sigma and VEDDAC

## Fraunhofer Institute

The **Fraunhofer Institute** is a center of excellence for many of the technical aspects within our industry and with regards to these test can provide much more information on standards, test methods and result interpretation. They can be found at [www.fraunhofer.de](http://www.fraunhofer.de).

## Put the Condor Sigma to the test!

XYZTEC is **market leader in bond testing**. We continue to develop solutions for all types of industries including solar, space, military, medical, automotive, interconnect and material science. Our customers include market leaders in all of these industries throughout the world. If you are interested in a live demonstration of the **Condor Sigma** on your sample or perhaps for more bond testing inspiration, [contact us today!](#)

Go to [this page](#) to subscribe to our [newsletter](#).

## Other newsletters

Jul 2019  
Apr 2019  
Aug 2018  
Jul 2017

May 2017  
Mar 2017  
Feb 2017

Jan 2017

Meet the world's biggest bond testers  
Free SMTconnect ticket? Register now  
Is Fully Automatic Bond Testing Possible?  
Advances in Thin, 3D and MEMS Die Bond Strength Testing  
Shear testing copper pillar  
Fracture strength of thin wafers and die  
Centralized database for enhanced security and SPC options  
Full Automation with Improved Pattern Recognition, Fiducial Marks Analysis, Wire Detect and Failure Mode Analysis

© 1999-2019 XYZTEC BV

### XYZTEC Netherlands

J.F. Kennedylaan 14-B  
5981 XC Panningen  
Netherlands ([map / route](#))  
Tel: +31-77-3060920  
Fax: +31-77-3060919  
[sales@xyztec.com](mailto:sales@xyztec.com)  
[support@xyztec.com](mailto:support@xyztec.com)

### Other offices

- Germany
- Taiwan
- Thailand
- United Kingdom
- USA: California
- USA: Massachusetts
- Distributors

### Bond testers

- Condor *Sigma*
- Condor *Sigma Lite*
- Condor *Sigma W12*
- Condor *150HF*

This is page 9/10  
[Click here](#) for the [web version](#).

**Technology leader in bond testing worldwide**



Dec 2016  
Nov 2016

Coating and film testing  
Latest software release enables automatic grading

Oct 2016  
Sep 2016  
Aug 2016  
Jul 2016  
Jun 2016  
May 2016  
Apr 2016  
Mar 2016  
Feb 2016

Vision enhanced materials testing  
XYZTEC makes lid pull easy  
Condor Sigma W12 with large heater stage  
How to: Wire Pull  
Get 10% off your next tools order  
Pull testing bumped wafers  
SMD gull wing leads testing  
Automation: matrix bond testing made easy  
Fully integrated solution for automated wafer testing

Jan 2016  
Dec 2015  
Nov 2015  
Oct 2015  
Sep 2015  
Aug 2015

In bond testing, size does matter  
XYZTEC goes from strength to strength  
Automatic wire detect  
Highly reproducible stud pull tests are possible  
What is the quality of your coatings?  
Loading samples has never been so easy

Subscribe to our [RSS-feed](#) to be notified of the latest news automatically. You can also find us on [Facebook](#), [LinkedIn](#), [Twitter](#), [Weibo 微博](#), [Google+](#), [YouKu 优酷](#) and [YouTube](#).

## Bond testing seminars

Aiming to improve understanding of bond testing in the industry, XYZTEC organizes [seminars](#) to present and disseminate knowledge in a straightforward format. [Click here to find out more about bond testing seminars.](#)

### XYZTEC Netherlands

J.F. Kennedylaan 14-B  
5981 XC Panningen  
Netherlands ([map](#) / [route](#))  
Tel: +31-77-3060920  
Fax: +31-77-3060919  
[sales@xyztec.com](mailto:sales@xyztec.com)  
[support@xyztec.com](mailto:support@xyztec.com)

### Other offices

- Germany
- Taiwan
- Thailand
- United Kingdom
- USA: California
- USA: Massachusetts
- [Distributors](#)

### Bond testers

- Condor *Sigma*
- Condor *Sigma Lite*
- Condor *Sigma W12*
- Condor *150HF*

This is page 10/10  
Click [here](#) for the [web version](#).